

TDOBIS460M-AI

4MP LITE AI IR VARI-FOCAL BULLET NETWORK CAMERA



FEATURES:

- 4MP, 1/3" CMOS image sensor, low illuminance, high image definition
- Outputs max. 4MP (2688 x 1520)@30 fps
- H.265 codec, high compression rate, low bit rate
- Built-in IR LED, max. IR distance: 197ft
- ROI, SMART H.264+/H.265+, flexible coding, applicable to various bandwidth and storage environments
- Rotation mode, WDR, 3D DNR, HLC, BLC, digital watermarking, applicable to various monitoring scenes
- Intelligent detection: Intrusion, tripwire
- Abnormality detection: Motion detection, video tampering, scene changing, audio abnormality detection, no SD card, SD card full, SD card error, network disconnection, IP conflict, illegal access, voltage detection
- Alarm: In, out; Audio: In, out; Supports max. 256 G Micro SD card
- 12V DC/POE power support
- IP67, IK10(optional) protection
- SMD

Specifications:

Model		TDOBIS460M-AI			
Camera					
Image Sensor		1/3" 4Megapixel progressive CMOS			
Effective Pixels		2688(H)×1520(V)			
ROM		128 MB			
RAM		512 MB			
Scanning System		Progressive			
Electronic Shutter Speed		Auto/Manual 1/3 s-1/100000 s			
Min. Illumination		0.005 Lux@F1.5			
IR Distance		197ft			
IR On/Off Control		Auto / Manual			
IR LEDs Number		4 (IR LEDs)			
Pan/Tilt/Rotation Range		Horizontal: 0°-360°; vertical 0°-90°; rotation 0°-360°			
Lens					
Lens Type		Motorized vari-focal			
Mount Type		φ14			
Focal Length		2.7mm-13.5mm			
Max. Aperture		F1.5			
Field of View		Horizontal: 104°-27°; Vertical: 55°-15°; Diagonal: 124°-31°			
Iris Type		Fixed aperture			
Close Focus Distance		0.8m (2.6ft)			
DORI Distance	Lens	Detect	Observe	Recognize	Identify
	W	64.0m (210.0ft)	25.6 (84ft)	12.8m (42ft)	6.4m (21.0ft)
	T	222.0m (728.3ft)	88.8m (291.3ft)	44.4m (145.7ft)	22.2m (72.8ft)
Professional, Intelligent					
Perimeter Protection		Tripwire, intrusion (Recognition of human and vehicle)			

Intelligent Search	Work together with Smart NVR to perform refine intelligent search, event extraction and merging to event videos.
Video	
Video Compression	H.265; H.264; H.264H; H.264B; MJPEG
Smart Codec	Yes
Video Frame Rate	Main stream (2688x1520@1-25/30 fps) sub stream (704x576@1-25 fps/704x480@1-30 fps) third stream (1280x720@1-25/30 fps)
Stream Capability	3 streams
Resolution	4M (2688x1520); 3M (2304x1296); 1080p (1920x1080); 1.3M (1280x960); 720p (1280x720); D1 (704x576/704x480); VGA (640x480); CIF (352x288/352x240)
Bit Rate Control	CBR/VBR
Video Bit Rate	H.264: 3 Kbps-8192 Kbps H.265: 3 Kbps-8192 Kbps
Day/Night	Auto (ICR) / Color / B/W
BLC	Yes
HLC	Yes
WDR	120dB
White Balance	Auto/natural/street lamp/outdoor/manual/regional custom
Gain Control	Auto/Manual
Noise Reduction	3D DNR
Motion Detection	OFF/ON (4 areas, rectangular)
Region of Interest (RoI)	Yes (4 areas)
Smart IR	Yes
Image Rotation	0°/90°/180°/270° (Support 90°/270° with 1920 x 1080 resolution)
Mirror	Yes
Privacy Masking	4 areas
Audio	
Audio Compression	G.711a; G.711Mu; G726; AAC
Network	
Network	RJ-45 (10/100 Base-T)

Protocol	IPv4;IPv6;HTTP;HTTPS;TCP;UDP;ARP;RTP;RTSP;RTCP;RTMP;SMTP;FTP;SFTP;DHCP;DNS;DDNS;QoS;UPnP;NTP;Multicast;ICMP;IGMP;NFS;PPPoE;802.1x;SNMP
Interoperability	ONVIF(Profile S/Profile G);CGI;P2P;Milestone;Genetec
Scene Self-adaptation	Yes
User/Host	20 (Total bandwidth: 64M)
Edge Storage	FTP; SFTP; Micro SD Card (support max. 256 G); ToughDog Cloud; NAS
Browser	IE: IE8, IE9, IE11 Chrome Firefox
Management Software	Smart PSS, DSS, ToughDog Viewer
Mobile Phone	IOS; Android
Certifications	
Certifications	CE-LVD: EN60950-1 CE-EMC: Electromagnetic Compatibility Directive 2014/30/EU FCC: 47 CFR FCC Part 15, Subpart B UL/CUL: UL60950-1 CAN/CSA C22.2 No.60950-1-07
Port	
Audio Input	1-channel (RCA port)
Audio Output	1-channel (RCA port)
Alarm Input	1 channel in: 5mA 3V-5V DC
Alarm Output	1 channel out: 300mA 12V DC
Power	
Power Supply	12V DC/PoE (802.3af)
Power Consumption	<9.8W
Environment	
Operating Conditions	-30°C to +60°C (-22°F to +140°F) / Less than ≤95%
Storage Conditions	-40°C to +60°C (-40°F to +140°F)
Ingress Protection	IP67
Structure	
Casing	Metal
Dimensions	244.1mm x 79.0mm x 75.9mm (9.6" x 3.1" x 3")
Net Weight	820g (1.8lb)

Gross Weight	1090g (2.4lb)
--------------	---------------

Accessories:

Optional:



PFA130-E
Junction Box



PFA152-E
Pole Mount



PFM321D
DC12V1A Power
Adapter



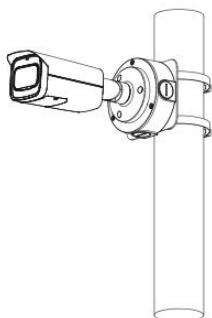
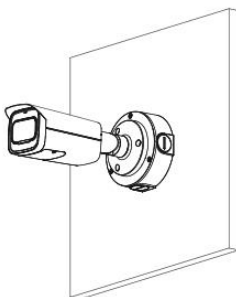
LR1002-1ET/1EC
Single-port long
reach ethernet over
coax extender



PFM900-E
Integrated Mount
tester



PFM114
TLC SD card

Pole Mount	Junction Box
PFA130+PFA152-E	PFB130-E
	

Dimensions:

