

# TDOECS5502A

## 5MP HDCVI IR EYEBALL CAMERA



### FEATURES:

- Max. 20fps@5MP
- Built-in mic
- HD and SD output switchable
- 2.8mm fixed lens
- Max. IR length 164ft, Smart IR
- IP67, DC12V

# Specifications:

<b>Model</b>	<b>TDOECS5502A</b>	
<b>Camera</b>		
Image Sensor	1/2.7" CMOS	
Effective Pixels	2592(H)×1944(V), 5MP	
Scanning System	Progressive	
Electronic Shutter Speed	PAL: 1/25~1/100,000s NTSC: 1/30~1/100,000s	
Minimum Illumination	0.02Lux/F1.85, 30IRE, 0Lux IR on	
S/N Ratio	More than 65dB	
IR Distance	Up to 164ft	
IR On/Off Control	Auto / Manual	
IR LEDs	1	
<b>Lens</b>		
Lens Type	Fixed lens / Fixed iris	
Mount Type	Board-in	
Focal Length	2.8mm	
Max Aperture	F1.85	
Angle of View	H: 98°	
Focus Control	N/A	
Close Focus Distance	800mm 32"	
<b>DORI Distance</b>		
Note: The DORI distance is a "general proximity" of distance which makes it easy to pinpoint the right camera for your needs. The DORI distance is calculated based on sensor specification and lab test result according to EN 62676-4 which defines the criteria for Detect, Observe, Recognize and Identify respectively.		
Detect	25px/m (8px/ft)	63m (207ft)
Observe	63px/m (19px/ft)	25m (82ft)
Recognize	125px/m (38px/ft)	13m (43ft)
Identify	250px/m (76px/ft)	6m (21ft)
<b>Pan / Tilt / Rotation</b>		
Pan / Tilt / Rotation	Pan: 0°~360° Tilt: 0°~78° Rotation: 0°~360°	
<b>Video</b>		
Resolution	5MP (2592×1944)	
Frame Rate	20fps@5MP, 25/30fps@4MP, 25/30fps@1080P	
Video Output	1-channel BNC high definition video output / CVBS video output (Can switch)	
Day/Night	Auto (ICR) / Manual	
OSD Menu	Multi-language	

BLC Mode	BLC / HLC / DWDR
WDR	DWDR
Gain Control	AGC
Noise Reduction	2D
White Balance	Auto / Manual
Smart IR	Auto / Manual
<b>Certifications</b>	
Certifications	CE (EN55032, EN55024, EN50130-4) FCC (CFR 47 FCC Part 15 subpartB, ANSI C63.4-2014) UL (UL60950-1+CAN/CSA C22.2 No.60950-1)
<b>Interface</b>	
Resolution	Built-in mic
<b>Electrical</b>	
Power Supply	12V DC±30%
Power Consumption	Max. 4.2W (12V DC, IR on)
<b>Environmental</b>	
Operating Conditions	-40°C~+60°C (-40°F~+140°F) / Less than 95%RH *Start up should be done at above -40°C (-40°F)
Storage Conditions	-40°C~+60°C (-40°F~+140°F) / Less than 95%RH
Ingress Protection & Vandal Resistance	IP67
<b>Construction</b>	
Casing	Aluminum
Dimensions	Φ106mm×93.7mm (Φ4.17"×3.69")
Net Weight	0.41kg (0.90lb)
Gross Weight	0.51kg (1.12lb)

# Accessories:

Optional:



PFA130-E  
Junction box



PFB204W  
Wall mount



PFM800-E  
Passive HDCVI Balun



PFM800-4K  
Passive Video Balun



PFM800B-4K  
Passive Video Balun



PFM321  
12V 1A Power Adapter



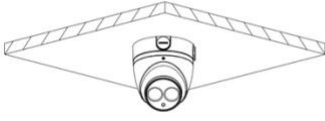


PFM320D-015  
Power Adapter



PFM300  
12V 2A Power Adapter



PFM820  
UTC Controller

Junction Mount	Pole Mount
PFA130-E	PFB204W + PFA152-E
	
Wall Mount	
PFB204W	
	

# Dimensions:

