

TDPTZF8MP37

8x2MP MULTI-SENSOR PANORAMIC NETWORK CAMERA+PTZ CAMERA



FEATURES:

- Panoramic: Eight 1/1.9" 2Megapixel progressive scan CMOS
- PTZ: One 1/1.9" 2Megapixel progressive scan CMOS
- H.265/H.264 triple-stream encoding
- 2x25fps@4096x1800+50/60fps@1080P
- Support 360-degree panoramic view
- Day/Night(ICR), 3DNR, AWB, AGC, BLC
- Smart tracking
- Intelligent Function
- Micro SD memory, IP67, IK10

Specifications:

Model	TDPTZF8MP37			
Panoramic Camera				
Image Sensor	Eight 1/1.9" 2Megapixel CMOS			
Effective Pixels	2x4096(H) x 1800(V)			
Scanning System	Progressive			
Electronic Shutter Speed	Auto/Manual, 1/3~1/100000s			
Min. Illumination	0.005Lux/F2.2(Color,1/3s,30IRE) 0.03Lux/F2.2(Color,1/30s,30IRE) 0.003Lux/F2.2(B/W,1/3s,30IRE) 0.02Lux/F2.2(B/W,1/30s,30IRE)			
S/N Ratio	More than 50dB			
Panoramic Lens				
Lens Type	Fixed			
Mount Type	Board-in			
Focal Length	5mm			
Max. Aperture	F2.2			
Angle of View	H: 360°, V:80°			
DORI Distance	Detect	Observe	Recognize	Identify
	53m (178ft)	21m (69ft)	10m (33ft)	5m (17ft)
PTZ Camera				
Image Sensor	1/1.9" 2Megapixel CMOS			
Effective Pixels	1920(H) x 1080(V)			
RAM/ROM	1024MB/128MB			
Scanning System	Progressive			
Electronic Shutter Speed	Auto/Manual, 1~1/30000s			
Min. Illumination	0.002Lux/F1.5(Color,1/3s,30IRE) 0.01Lux/F1.5(Color,1/30s,30IRE) 0.001Lux/F1.5(B/W,1/3s,30IRE) 0.008Lux/F1.5(B/W,1/30s,30IRE)			
S/N Ratio	More than 50dB			

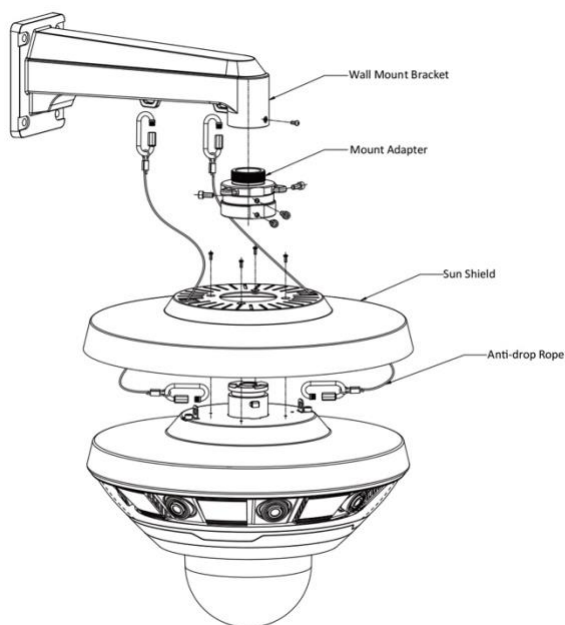
PTZ Lens					
Lens Type		Motorized/Auto Iris (HALL)			
Mount Type		Board-in			
Focal Length		5.5mm~206mm			
Max. Aperture		F1.5			
Angle of View		H: 65.8°~2.0°			
Optical Zoom		37x			
Focus Control		Motorized			
DORI Distance	Lens	Detect	Observe	Recognize	Identify
	W	70m (229ft)	28m (92ft)	14m (46ft)	7m (23ft)
	T	2080m (6824ft)	832m (2730ft)	416m (1365ft)	208m (682ft)
PTZ					
Pan/Tilt Range		Pan: 0°~360° endless; Tilt: 20°~90°, auto flip 180°			
Manual Control Speed		Pan: 0.1°~240°/s; Tilt: 0.1°~120°/s			
Presets		300			
PTZ Mode		5 Pattern, 8Tour, Auto, Pan, Auto Scan			
Speed Setup		Human-oriented focal length / speed adaption			
Power up Action		Auto restore to previous PTZ and lens status after power failure			
Idle Motion		Activate Preset / Scan / Tour / Pattern if there is no command in the specified period			
Protocol		TD-SD, Pelco-P/D (Auto recognition)			
Intelligence					
Auto Tracking		Support			
IVS		Tripwire, Intrusion			
Video					
Compression		H.265+/H.265/H.264+/H.264			
Streaming Capability		3 Streams			
Resolution	Panoramic Camera	2x4096x1800/2x3840x1680/2x2880x1264/ /2x1920x832/2x1280x560/2x1024X452			
	PTZ Camera	1080P(1920x1080)/1.3M(1280x960)/720P(1280x720)/D1(704x576/704x480))/CIF(352x288/352x240)			

Frame Rate	Panoramic Camera	Main Stream: 2x4096x1800(1~25fps)
		Sub Stream: 2x1024X452 (1 ~ 25/30fps)
		Third Stream: 2x1920x832 (1 ~ 25/30fps)
	PTZ Camera	Main Stream: 1080P(1~50/60fps)
		Sub Stream: D1(1~50/60fps)
		Third Stream: 1080P(1~50/60fps)
Bit Rate Control		CBR/VBR
Bit Rate	Panoramic Camera	H.265: 2x (14Kbps~ 8192Kbps) H.264: 2x (24Kbps~ 8192Kbps)
	PTZ Camera	H.265: 4Kbps~ 8192Kbps H.264: 8Kbps~ 7168Kbps
Day/Night		Auto (ICR) / Color / B/W
BLC Mode		BLC / HLC / WDR
White Balance		Auto/Natural/Street Lamp/Outdoor/Manual
Gain Control		Auto / Manual
Noise Reduction		3D DNR
Motion Detection		Off / On (4 Zone, Rectangle)
Region of Interest		Off / On (4 Zone)
Electronic Image Stabilization (EIS)		N/A
Smart IR		N/A
Defog		Support(For PTZ Camera only)
Digital Zoom		16x
Flip		N/A
Mirror		N/A
Privacy Masking	Panoramic Camera	Off / On (4 Area, Rectangle)
	PTZ Camera	Off / On (24 Area, Rectangle)
Audio		
Compression		G.711a/G.711Mu/AAC/G.726
Network		

Ethernet	RJ-45 (100/1000Base-T)
Protocol	HTTP;HTTPS;TCP;ARP;RTSP;RTP;UDP;SMTP;FTP;DHCP;DNS;DDNS;PP POE;IPv4/v6;QoS;UPnP;NTP;Bonjour;802.1x;Multicast;ICMP;IGMP;SNMP
Interoperability	ONVIF, PSIA, CGI
Streaming Method	Unicast / Multicast
Max. User Access	10 users / 20 users
Edge Storage	NAS Local PC for instant recording Mirco SD card 128GB
Web Viewer	IE, Chrome, Firefox, Safari
Management Software	TD-SMS, TDSS
Smart Phone	IOS, Android
Certifications	
Certifications	CE (EN 60950:2000) UL:UL60950-1 FCC: FCC Part 15 Subpart B
Interface	
Video Interface	1 Port(For PTZ Camera only)
Audio Interface	2/1 channel In/Out
RS485	1 Port
Alarm	7 channel In: 5mA 5VDC 2 channel Out: 1A 30VDC / 0.5A 50VAC
Electrical	
Power Supply	DC36V
Power Consumption	<120W
Environmental	
Operating Conditions	-40°C ~ +60°C (-40°F ~ +140°F) / Less than 95% RH
Storage Conditions	-40°C ~ +60°C (-40°F ~ +140°F) / Less than 95% RH
Ingress Protection	IP67
Vandal Resistance	IK10
Construction	
Casing	Metal
Dimensions	Φ449.5mm x 342.5 (Φ17.7" x 13.48")

Net Weight	16kg (35.27lb)
Gross Weight	25kg (55lb)

Accessories:



Dimensions (mm/inch):

