

# TDDL-W

## BLUETOOTH AIRFLY CYLINDER SMART LOCK



### FEATURES:

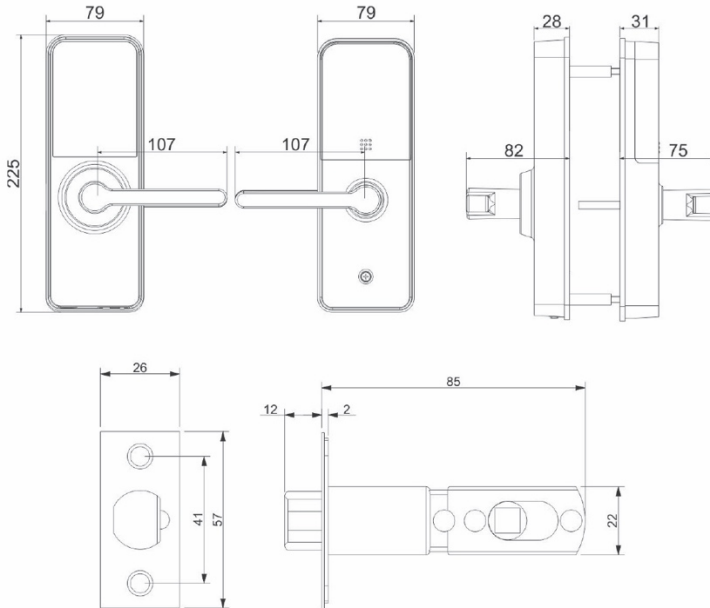
- 5-way opening: Easy4key App, DMSS, Mifare Card, password and mechanical key
- Privacy password: xxx+password+xxx, preventing password to be seen by others
- Passage Mode and Non-disturbance Mode optional
- Auto lock when come across a consecutive invalid passwords or cards
- Low Voltage alarm( $\leq 4.5V$ )
- Huge storage: 50 cards, 50 passwords, 8 Bluetooth
- Emergency power supply outside
- Two colors optional
- Zinc alloy material

# Specifications:

<b>Model</b>	<b>TDDL-W</b>
<b>Card</b>	
Card Type	Mifare 1
Card Features	Contactless, high security, all-in-one possible
Sensor Distance	< 20mm
Sensor Time	< 0.5s
Storage Capacity	50
<b>Password</b>	
Keyboard Type	All-touch keyboard
Password Length	6-12 bits
Storage Capacity	50
<b>Wireless Control</b>	
Bluetooth mobile	Max. 8 mobile phone
Airfly outdoor station	433Mhz wireless mudle built-in Controlled by TDIPVIC-W
<b>Battery</b>	
Working Voltage	6V, AA alkaline battery (4pcs)
Battery Life	About 1 year (10units/D)
Low Battery Warning	< D4.5V
Emergency Power Supply	9V battery
<b>Structure</b>	
Door Thickness	35-60mm
Backset	60/70mm
Material	Zinc alloy
<b>General</b>	
Working Temperature	-20°C~+55°C

Relative Humidity	10%~93%
Salt spray test	≥200h
Lock case test	≥100000 times
Package size	315*230*160(mm)
Gross weight	3.3kg
Restore Default	Support
Reset	Support
Built-in Buzzer	Support

## Dimensions:



## Application:

