

TDOBIS2403-4G

2MP 4G IR BULLET NETWORK CAMERA



FEATURES:

- 1/2.9" 2Megapixel progressive CMOS
- H.265&H.264 dual-stream encoding
- 25/30fps@2M(1920x1080)
- Day/Night(ICR), 3DNR, AWB, AGC, BLC
- Multiple network monitoring: Web viewer, CMS(DSS/PSS) & DMSS
- Micro SD card slot, up to 256GB
- 3.6mm fixed lens
- Max. IR LEDs Length 131ft
- 4G supported
- IP67

Specifications:

| | | | |
|------------------------------|---|-----------|-----------|
| Model | TDOBIS2403-4G | | |
| Camera | | | |
| Image Sensor | 1/2.9" 2Megapixel progressive scan CMOS | | |
| Effective Pixels | 1920(H)×1080(V) | | |
| RAM/ROM | 256MB/256MB | | |
| Scanning System | Progressive | | |
| Min. Illumination | 0.04Lux/F2.0(Color,1/3s,30IRE) 0.22Lux/F2.0(Color,1/30s,30IRE) 0Lux/F2.0(IR on) | | |
| S/N Ratio | More than 56dB | | |
| IR Distance | Up to 131ft | | |
| IR On/Off Control | Auto / Manual | | |
| IR LEDs | 2 | | |
| Lens | | | |
| Lens Type | Fixed | | |
| Mount Type | M12 | | |
| Focal Length | 3.6mm | | |
| Max Aperture | F2.0 | | |
| Angle of View | H: 82.5°, V: 44° | | |
| Optical Zoom | N/A | | |
| Focus Control | Fixed | | |
| Close Focus Distance | 0.9m 29.5ft | | |
| DORI Distance | Detect | Observe | Recognize |
| | 53m(174ft) | 21m(69ft) | 10m(33ft) |
| Pan / Tilt / Rotation | | | |
| Pan/Tilt Range | N/A | | |
| Intelligence | | | |

| | |
|--------------------------------------|--|
| Event Trigger | Motion detection, Video tampering, Scene changing, Network disconnection, IP address conflict, Illegal Access, Storage anomaly |
| IVS | Tripwire, Intrusion |
| Video | |
| Compression | H.265/H.264H/MJPEG(Sub Stream) |
| Smart Codec | Support H.265/H.264 |
| Streaming Capability | 2 Streams |
| Resolution | 1080P (1920x1080)/1.3M (1280x960)/720P (1280x720)/D1 (704x576/704x480)/VGA (640x480)/CIF (352x288/352x240) |
| Frame Rate | Main Stream: 1080P@25fps Sub Stream: D1@25fps |
| Bit Rate Control | CBR/VBR |
| Bit Rate | H.264: 32 ~ 10240Kbps H.265: 12 ~ 6400Kbps |
| Day/Night | Auto (ICR) |
| BLC Mode | BLC / HLC / DWDR |
| White Balance | Auto/Natural/Street Lamp/Outdoor/Manual |
| Gain Control | Auto |
| Noise Reduction | 3D DNR |
| Motion Detection | Off / On (4 Zone, Rectangle) |
| Region of Interest | Off / On (4 Zone) |
| Electronic Image Stabilization (EIS) | N/A |
| Smart IR | Support |
| Defog | N/A |
| Digital Zoom | N/A |
| Flip | 0°/90°/180°/270° |
| Mirror | Off / On |
| Privacy Masking | Off / On (4 Area, Rectangle) |
| Audio | |
| Compression | G.711a/ G.711Mu/ AAC/ G.726 |

| Network | |
|-----------------------|--|
| Ethernet | RJ-45 (10/100Base-T) |
| Mobile Communication | 4g |
| Operating Band | Model 1: TDD-LTE:Band38/39/40/41 FDD-LTE:Band1/3/5/8 WCDMA:Band1/8 TD-SCDMA:Band34/39 EVDO/CDMA1X:BC0 GSM:Band3/8 Model 2: FDD-LTE:Band1/2/3/4/5/7/8/20 UMTS:Band1/2/5/8 GSM:850/900/1800/1900 |
| Protocol | HTTP;HTTPS;TCP;ARP;RTSP;RTP;RTCP;UDP;SMTP; FTP;DHCP;DNS;DDNS;PPPoE;IPV4/V6;QoS;UPnP; NTP;Bonjour;IEEE 802.1X;Multicast;ICMP;IGMP;TLS |
| Interoperability | ONVIF Profile S&G, API |
| Streaming Method | Unicast / Multicast |
| Max. User Access | 10 Users / 20 Users |
| Edge Storage | NAS Local PC for instant recording Mirco SD card 256GB |
| Web Viewer | IE, Chrome, Firefox, Safari |
| Management Software | Smart PSS, DSS, DMSS |
| Smart Phone | IOS, Android |
| Certifications | |
| Certifications | CE-LVD: EN60950-1 CE-EMC: Electromagnetic Compatibility Directive 2014/30/EU FCC: 47 CFR FCC Part 15, Subpart B |
| Interface | |
| Audio Interface | 1/1 channel In/Out |
| Alarm | 2 channel In: 500mA 5VDC 2 channel Out: 300mA 12VDC |
| Electrical | |
| Power Supply | DC12V±30% |
| Power Consumption | 3.6W, 9.5W(IR on); 6W(4G on, IR off) |
| Environmental | |

| | |
|----------------------|---|
| Operating Conditions | -30°C ~ +60°C (-22°F ~ +140°F) / Less than 95% RH |
| Storage Conditions | -30°C ~ +60°C (-22°F ~ +140°F) / Less than 95% RH |
| Ingress Protection | IP67 |
| Vandal Resistance | N/A |
| Construction | |
| Casing | Metal+Plastic |
| Dimensions | 194.4mm×96.6mm×89.5mm (7.65"×3.8"×3.52") |
| Net Weight | 0.7kg (1.54lb) |
| Gross Weight | 0.8kg (1.76lb) |

Accessories:

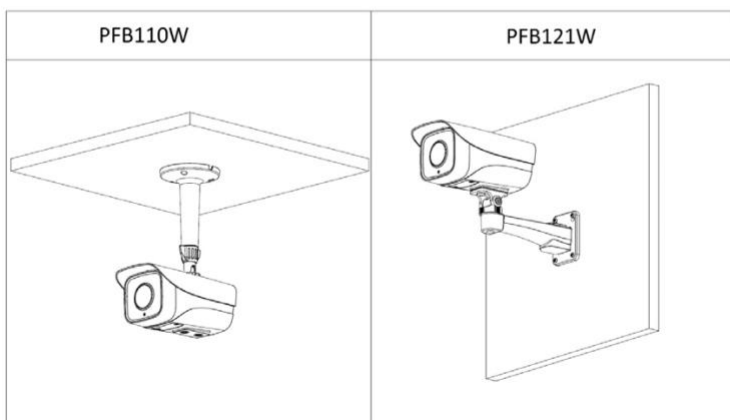
Optional:



PFB110W
Ceiling mount



PFB121W
Wall mount



Dimensions:

