

TDPTZ4MP25IRS-4G

4MP 25x Starlight IR 4G PTZ AI Network Camera



- 1/2.8" 4Megapixel CMOS
- Support 4G
- Powerful 25x optical zoom
- Starlight technology
- Max.25/30fps@4M
- Perimeter Protection
- Support PoE+
- IR distance up to 328Ft.
- SMD
- IP66



AI series products adopt the most advanced AI technologies, including deep learning algorithms that primarily target people and vehicles, which provides higher flexibility and accuracy for end-users. This enables the TOUGHDOG AI series to offer various advanced applications such as Face Recognition, ANPR, Metadata, People Counting, traffic data statistics, etc. The complete lineup of TOUGHDOG AI includes network (PTZ) cameras, network video recorders, servers, and more devices. Beyond seeing the world, the power of AI allows devices to perceive the environment and understand the world in a better way.

System Overview

TOUGHDOG PTZ AI network camera adopts advanced CNN deep learning algorithms to support Perimeter Protection with high accuracy. This camera possesses wide monitor range, PFA algorithm that can always present a clear, focused image while zooming. The camera has very excellent low light performance due to adopting the latest starlight technology. The camera is equipped with smooth control, high quality image and good protection, which make it can meet most of the requirements of video surveillance applications.

Functions

Starlight Technology

For challenging low-light applications, TOUGHDOG's Starlight Ultra-low Light Technology offers best-in-class light sensitivity, capturing color details in low light down to 0.005 lux. The camera uses a set of optical features to balance light throughout the scene, resulting in clear images in dark environments.

Wide Dynamic Range

The camera achieves vivid images, even in the most intense contrast lighting conditions, using industry-leading wide dynamic range (WDR) technology. For applications with both bright and low lighting conditions that change quickly, True WDR (120 dB) optimizes both the bright and dark areas of a scene at the same time to provide usable video.

Perimeter Protection

Automatically filtering out false alarms caused by animals, rustling leaves, bright lights, etc. Enables system to act secondary recognition for the targets. Improving alarm accuracy.

Environmental

TOUGHDOG cameras operate in extreme temperature environments, rated for use in temperatures from -40 °C to +70 °C (-40 °F to +158 °F) with 95% humidity. Subjected to rigorous dust and water immersion tests and certified to the IP66 Ingress Protection rating makes it suitable for demanding outdoor applications.

Protection

The camera allows for 6KV lightning rating, which provides effective protection for both the camera and its structure against lightning.

Interoperability

The camera conforms to the ONVIF (Open Network Video Interface Forum) specifications, ensuring interoperability between network video products regardless of manufacturer.

PFA Technology

PFA technology has innovatively introduced new methods of judgment to ensure the accuracy and predictability of the direction of subject distance adjustment. The result is a set of advanced focusing algorithms. PFA ensures clarity of the image throughout the process of zooming and shortens focus time. The realization of PFA technology substantially improves user experience and increases product value.

SMD

With Deep-Learning Algorithm, TOUGHDOG SMD filters the motion detection alarm triggered by non-concerned target and recognizes human and vehicle effectively, sending alarms when human and vehicle intrudes.

4G Transmission

The camera supports 4G signal transmission and the following network types: LTE/WCDMA/GSM. And it supports the following frequency band respectively:

LTE FDD: Band 1/2/3/4/7; WCDMA: Dual-band Band 1/2; GSM: 1800Hz/1900MHz

TDPTZ4MP25IRS- 4G

Technical Specification

Camera

| | |
|--------------------------|--|
| Image Sensor | 1/2.8" STARVIS™ CMOS |
| Effective Pixels | 4MP |
| Max. Resolution | 2560 (H) × 1440 (V) |
| ROM | 4GB |
| RAM | 1GB |
| Electronic Shutter Speed | 1/1 s–1/30,000 s |
| Scanning System | Progressive |
| Min. Illumination | Color: 0.005Lux@F1.6 B/W: 0.0005Lux@F1.6 0Lux@F1.6 (IR light on) |
| IR Distance | 100 m (328.08 ft) |
| IR On/Off Control | Zoom Prio/Manual/SmartIR |
| IR LEDs Number | 4 |

Lens

| | | | | |
|----------------------|---|------------------------|-----------------------|----------------------|
| Focal Length | 4.8 mm–120 mm | | | |
| Max. Aperture | F1.6–F4.0 | | | |
| Field of View | H: 60.0°–2.5°; V: 30.8°–2.2°; D: 66.7°–2.9° | | | |
| Optical Zoom | 25x | | | |
| Focus Control | Auto/Semi-Auto/Manual | | | |
| Close Focus Distance | 0.1 m–1.5 m (0.33 ft–4.92 ft) | | | |
| Iris Control | Auto/Manual | | | |
| DORI Distance | Detect | Observe | Recognize | Identify |
| | 2540 m (8333.33 ft) | 1016 m (3333.33 ft) | 508 m (1666.67 ft) | 254 m (833.33 ft) |

PTZ

| | |
|----------------------|---|
| Pan/Tilt Range | Pan: 0°–360° (endless) Tilt: -15°–90° (auto flip 180°) |
| Manual Control Speed | Pan: 0.1°–200°/s Tilt: 0.1°–120°/s |
| Preset Speed | Pan: 240°/s Tilt: 200°/s |
| Presets | 300 |
| Tour | 8 (up to 32 presets per tour) |
| Pattern Number | 5 |
| Scanning Number | 5 |
| Speed Adjustment | Support |
| Power-off Memory | Support |
| Idle Motion | Preset/Tour/Pattern/Scanning |
| Protocol | DH-SD Pelco-P/D (auto recognition) |

General Intelligence

| | |
|----------------------|--|
| Event Trigger | Motion detection, Video tampering, Scene changing, Network disconnection, IP address conflict, Illegal Access, Storage anomaly |
| General Intelligence | Object Abandoned/Missing |

Artificial Intelligence

| | |
|----------------------|--|
| Perimeter Protection | Tripwire and intrusion. Support alarm triggering by target types (human and vehicle). Support filtering false alarms caused by animals, rustling leaves, bright lights, etc. |
| SMD | Support |
| Video Metadata | Support human, motor vehicle and non-motor vehicle image capture. |

Video

| | |
|--------------------------------|--|
| Compression | H.265+/H.265/H.264+/H.264/MJPEG (sub stream) |
| Streaming Capability | 3 streams |
| Resolution | 4M (2560 × 1440); 3M (2048 × 1536); 1080P (1920 × 1080); 1.3M (1280 × 960); 720P (1280 × 720); D1 (704 × 576/704 × 480); CIF (352 × 288/352 × 240) |
| Frame Rate | Main stream: 4MP/3MP/1080P/1.3MP/720P (1–25fps) Sub stream 1: D1/CIF (1–25fps) Sub stream 2: 1080P/1.3M/720P (1–25fps) |
| Bit Rate Control | Variable Bit Rate/Constant Bit Rate |
| Bit Rate | H.265/H.264: 3 kbps–20480 kbps |
| Day/Night | Auto(ICR)/Color/B/W |
| BLC | Support |
| WDR | 120 dB |
| HLC | Support |
| White Balance | Auto/Indoor/Outdoor/Track/Manual/Sodium lamp/ Natural light/Street lamp |
| Gain Control | Auto/Manual |
| Noise Reduction | Ultra DNR (2D/3D) |
| Motion Detection | Support |
| Region of Interest | Support |
| Electronic Image Stabilization | Support |
| Electronic Defog | Support |
| Digital Zoom | 16x |
| Flip | 180° |
| Privacy Masking | Up to 24 areas, and up to 8 areas in the same view |

Audio

| | |
|-------------|--|
| Compression | G.711a; G.711Mu; AAC; G.722.1; G.726; MPEG2-Layer2; G.729 |
|-------------|--|

Network

| | |
|-----------------|----------------------|
| Ethernet | RJ-45 (10/100Base-T) |
| 4G Network Type | LTE/WCDMA/GSM |

TDPTZ4MP25IRS- 4G

| | |
|---------------------|---|
| 4G Frequency Band | LTE FDD: Band 1/2/3/4/7 WCDMA: Dual-band Band 1/2 GSM: 1800Hz/1900MHz |
| Protocol | IPv4; IPv6; HTTP; HTTPS; SSL; TCP/IP; UDP; UPnP; ICMP; IGMP; SNMPv1/v2c/v3(MIB-2); ARP; RTCP; RTSP; RTP; SMTP; NTP; DHCP; DNS; PPPOE; DDNS; FTP; IP Filter; QoS; Bonjour; 802.1x |
| Interoperability | ONVIF Profile S&G; CGI |
| Streaming Method | Unicast/Multicast |
| User/Host | 19 |
| Edge Storage | NAS; Local PC; Micro SD card (256G) |
| Browser | IE7 and newer versions Chrome 45 and earlier versions Firefox 52 and earlier versions Safari (no version restrictions) |
| Management Software | Smart PSS; DSS; DMSS |
| Smart Phone | IOS/Android |

Certification

| | |
|----------------|--|
| Certifications | CE: EN55032/EN55024/EN50130-4 FCC: Part15 subpartB, ANSI C63.4-2014 UL: UL60950-1+CAN/CSA C22.2, No. 60950-1 |
|----------------|--|

Port

| | |
|------------|-----|
| Audio In | 1 |
| Audio Out | 1 |
| Alarm Port | 2/1 |

Power

| | |
|-------------------|-----------------------------|
| Power Supply | DC 12V/3A PoE+ (802.3at) |
| Power Consumption | 13W 21W (IR on) |

Environment

| | |
|-----------------------|---|
| Operating Temperature | -40°C to +70°C (-40°F to +158°F) |
| Operating Humidity | ≤95% |
| Ingress Protection | IP66; TVS 6000V lightning proof; Surge protection |

Structure

| | |
|--------------|-----------------------------------|
| Casing | Aluminium alloy ADC12 |
| Dimensions | Φ160 mm × 295 mm (6.30" × 11.61") |
| Net Weight | 3 kg (6.61 lb) |
| Gross Weight | 4.8kg (10.58lb) |

| | |
|---------------|--------------------------|
| Accessories | Wall Mount |
| | Mount Adapter |
| | Power Adapter |
| | Power Box |
| | Ceiling Mount |
| | Water-proof Junction Box |
| | Pole Mount |
| | Corner Mount |
| Parapet Mount | |

Accessories

Included:



Wall Mount

Optional:



Mount Adapter



Power Adapter



Power Box



Ceiling Mount



Water-proof Junction Box



Pole Mount



Corner Mount

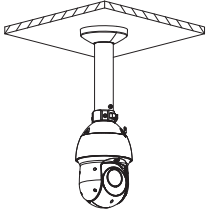
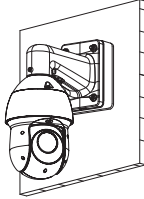
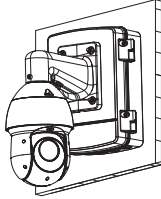
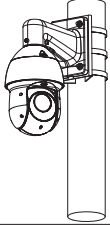
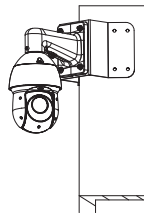
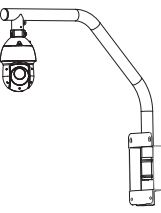


Parapet Mount

Ordering Information

| Type | Model | Description |
|----------------|-------|--|
| 4MP PTZ Camera | | 4MP 25x Starlight IR 4G PTZ AI Network Camera, WDR, 4G, PAL |
| | | 4MP 25x Starlight IR 4G PTZ AI Network Camera, WDR, 4G, NTSC |
| | | 4MP 25x Starlight IR 4G PTZ AI Network Camera, WDR, 4G, PAL |
| | | 4MP 25x Starlight IR 4G PTZ AI Network Camera, WDR, 4G, NTSC |

TDPTZ4MP25IRS- 4G

| Ceiling Mount | Junction Mount | Power Box Mount |
|---|---|---|
|  |  |  |
| Pole Mount | Corner Mount | Parapet Mount |
|  |  |  |

Dimensions (mm [inch])

